



PRODUCT BULLETIN

Carrier Airconditioning & Refrigeration
Limited

Page 1 of 7

Issued:
24 Jan 2018

Bulletin No. 2018/01/CST/01
Department – Engineering

Product : R22 & R410A Cassette
Units of Capacity 1.5 & 2.0 TR

SUBJECT: Launch of 2018 1.5 & 2.0 TR Cassette Models with BEE star labelling.

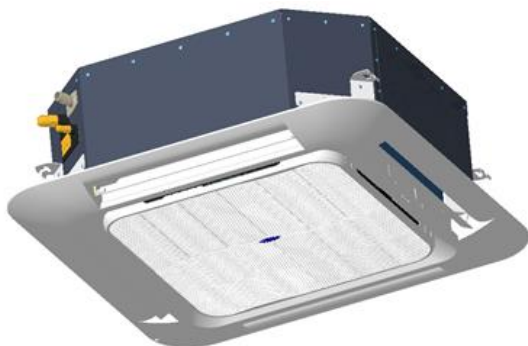
Purpose: -

This bulletin is to introduce ISEER upgraded cassette models of capacities 1.5TR & 2.0TR (R22 & R410A) with BEE energy star labelling for 2018.

As per Govt regulations, Cassette products fall under the BEE energy label category. To meet the required capacity & ISEER requirements, design changes are made in product to improve the efficiency for 2018 BEE requirement.

This product is developed to offer R22 Models with 2 and 3 star rating & R410A models with 2 Star rating.

Appearance:



Big Chassis Indoor Models (3x3)
1.5 TR, 2.0 TR R-22 and R410A



Smaller Chassis
1.5 TR R-410A



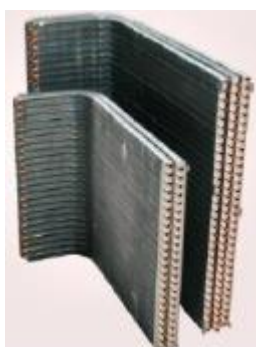
Big Chassis
1.5 TR, 2.0 TR R-22 and 2.0 TR R410A

Key Changes:



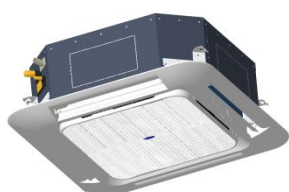
High Efficiency Compressors:

Outdoor units are equipped with high efficiency compressor, which delivers the required cooling with lesser consumption of electrical power.



High Performance Condenser Coils:

Condenser coils are designed with inner grooved copper tubes & lanced fin which deliver the best performance even at high ambient temperature conditions. Condenser coil multi pass circuiting is designed to meet the cooling requirements at different load conditions.









Indoor Unit:

Indoor unit is modified from small chassis of 575mmX 575mm to big Chassis of 825mmX825mm with newly localized grill with improved air flow. 2 Row lanced sine wave blue coated fins are used to improve heat transfer efficiency with especially designed motor suitable to deliver required air flow.

SAP Code Summary:

Unit Model	Obsolete Model (2016 - 2017 BEE Model)			2018 BEE Model		
	Indoor Code	Outdoor Code	FG Code	Indoor Code	Outdoor Code	FG Code
1.5 TR R-22 2 Star	5003362	5003361	5003360	5003776	5003775	5003774
1.5 TR R-22 3 Star	NA	NA	NA	5003779	5003778	5003777
2.0 TR R-22 2 Star	5003365	5003364	5003363	5003782	5003781	5003780
2.0 TR R-22 3 Star	NA	NA	NA	5003784	5003783	5003786
1.5 TR R-410a 2 Star	5003368	5003367	5003366	5003793	5003792	5003791
2.0 TR R-410a 2 Star	5003371	5003370	5003369	5003799	5003798	5003797

Technical Specifications: -

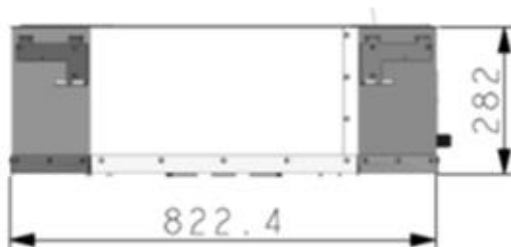
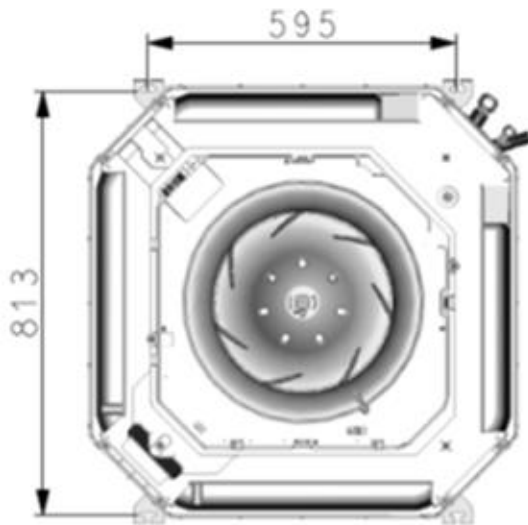
GENERAL	MODEL No (INDOOR)		40GKX-018RG	40GKX-018RH	40GKX-024RG	40GKX-024RH	40GKX-018GF	40GKX-024GF
	MODEL No (OUTDOOR)		51MSG-018RRG	51MSG-018RRH	51MSG-024RRG	51MSG-024RRH	51MSG-018GRF	51MSG-024GRF
	NOMINAL COOLING CAPACITY	Watts	5276	5510	7035	7236	5276	6700
	BEE Star Rating							
	RATED POWER SUPPLY	V-Ph-Hz	230 ± 10% - 1 - 50	230 ± 10% - 1 - 50	230 ± 10% - 1 - 50	230 ± 10% - 1 - 50	230 ± 10% - 1 - 50	230 ± 10% - 1 - 50
	RATED POWER SUPPLY - Outdoor	V-Ph-Hz	230 ± 10% - 1 - 50	230 ± 10% - 1 - 50	230 ± 10% - 1 - 50	230 ± 10% - 1 - 50	230 ± 10% - 1 - 50	230 ± 10% - 1 - 50
	NET WEIGHT - INDOOR / OUTDOOR / GRILLE	Kgs	38/55/5	38/55/5	38/55/5	38/55/5	38/46/5	38/55/5
	AIR FLOW RATE	CFM	590	590	730	730	590	950
	FAN MOTOR (INDOOR)	# of Speeds	3	3	3	3	3	3
	FAN MOTOR (OUTDOOR)	# of Speeds	1	1	1	1	1	1
COMPRESSOR TYPE		Rotary	Rotary	Rotary	Rotary	Rotary	Rotary	
Flare Connection : Liquid Line	Inch	1/4"	1/4"	1/4"	1/4"	1/4"	1/4"	
Flare Connection : Gas pipe	Inch	5/8"	5/8"	5/8"	5/8"	5/8"	5/8"	
OVERALL SIZE	INDOOR UNIT (HEIGHT)	mm	298	298	298	298	298	298
	INDOOR UNIT (WIDTH)	mm	825	825	825	825	825	825
	INDOOR UNIT (DEPTH)	mm	825	825	825	825	825	825
	PROJECTED GRILLE UNIT (HEIGHT)	mm	30	30	30	30	30	30
	GRILLE UNIT (WIDTH)	mm	960	960	960	960	960	960
	GRILLE UNIT (DEPTH)	mm	960	960	960	960	960	960
	OUTDOOR UNIT (HEIGHT)	mm	820	820	820	820	692	820
	OUTDOOR UNIT (WIDTH)	mm	904	904	904	904	904	904
	OUTDOOR UNIT (DEPTH)	mm	325	325	325	325	325	325
Heat Exchanger Details	Fin Length		915 X 2	915 X 2	915 X 2	915 X 2	915 X 2	915 X 2
	No. of rows		2	2	2	2	2	2
	No. of tubes / Row		11	11	11	11	11	9
	Tube Diameter		7	7	7	7	7	9.52
	Fin density		18	18	18	22	18	18
Blower Diameter	mm	450	450	450	450	450	450	

Note:

- Interconnecting copper tube between indoor & outdoor unit is removed from factory scope of supply and to be done based on site specific requirement following the instruction provided in installation & maintenance manual.
- All the DX cassette indoor units are available in big chassis with same grill.

INDOOR UNIT (IDU)

Dimensions of Indoor units:

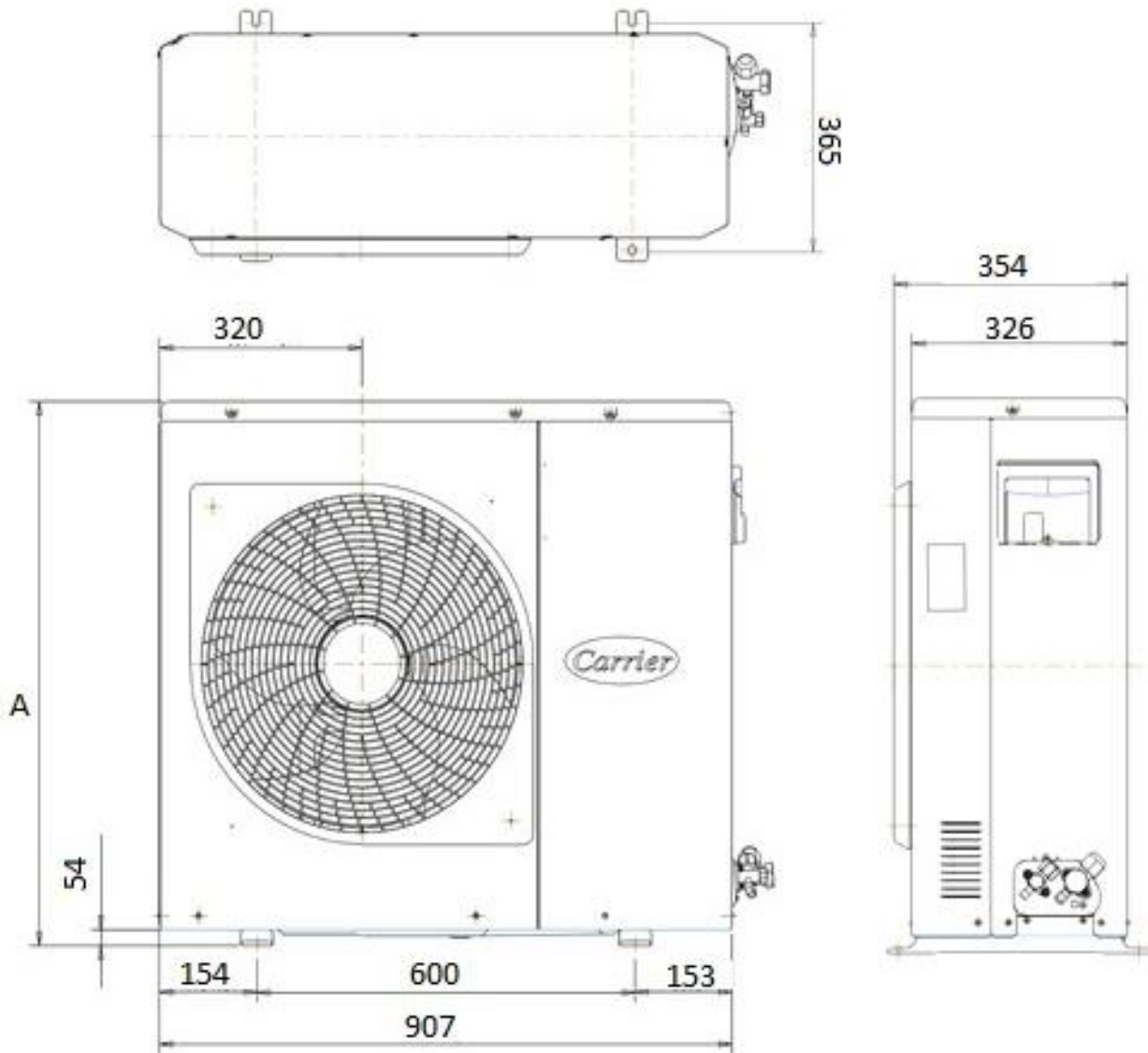


Electrical Wiring of Indoor Units: -

CP	P	N	E
COMPRESSOR SIGNAL	PHASE	NEUTRAL	EARTH
TO INDOOR UNIT (230V\pm10%, 1-PHASE)			

CONDENSING UNIT (CDU)

Dimensions of condensing units:



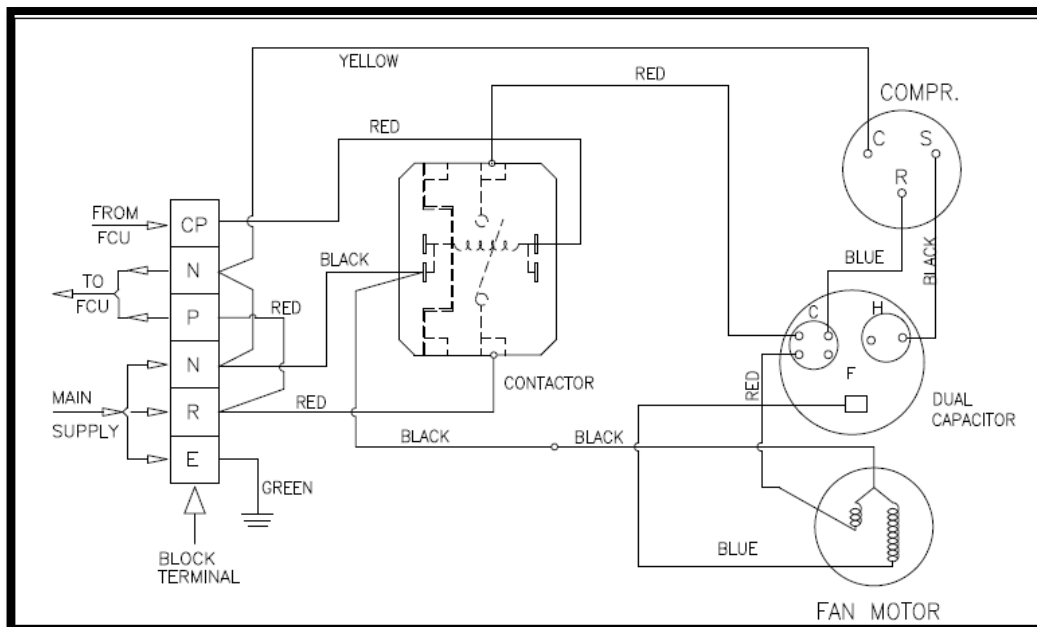
Model	A (in mm)
1.5 & 2.0 TR R22	821
1.5 TR R410A	690
2.0 TR R410A	821

Outdoor Unit Terminal Connections – 1 Phase



To Indoor Unit			Main power supply to Outdoor unit		
CP1	N	L	N	L	E
White	Black	Red	Black	Red	Green
Compressor Signal	Neutral	Phase	Neutral	Phase	Earth

OUTDOOR UNIT WIRING: - 1.5 TR (R22 & R410A MODELS):



OUTDOOR UNIT WIRING: - 2.0 TR (R22 & R410A):

